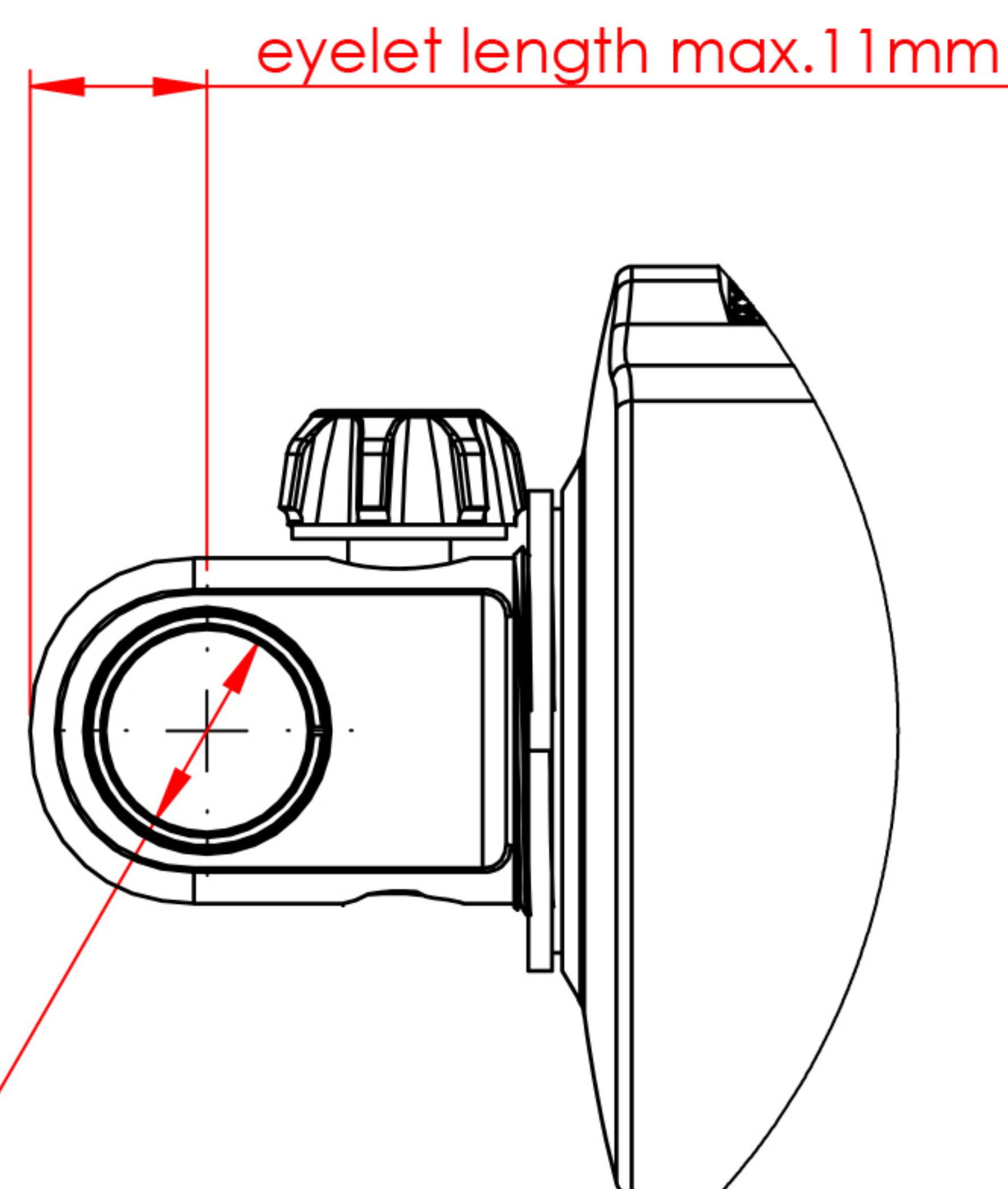
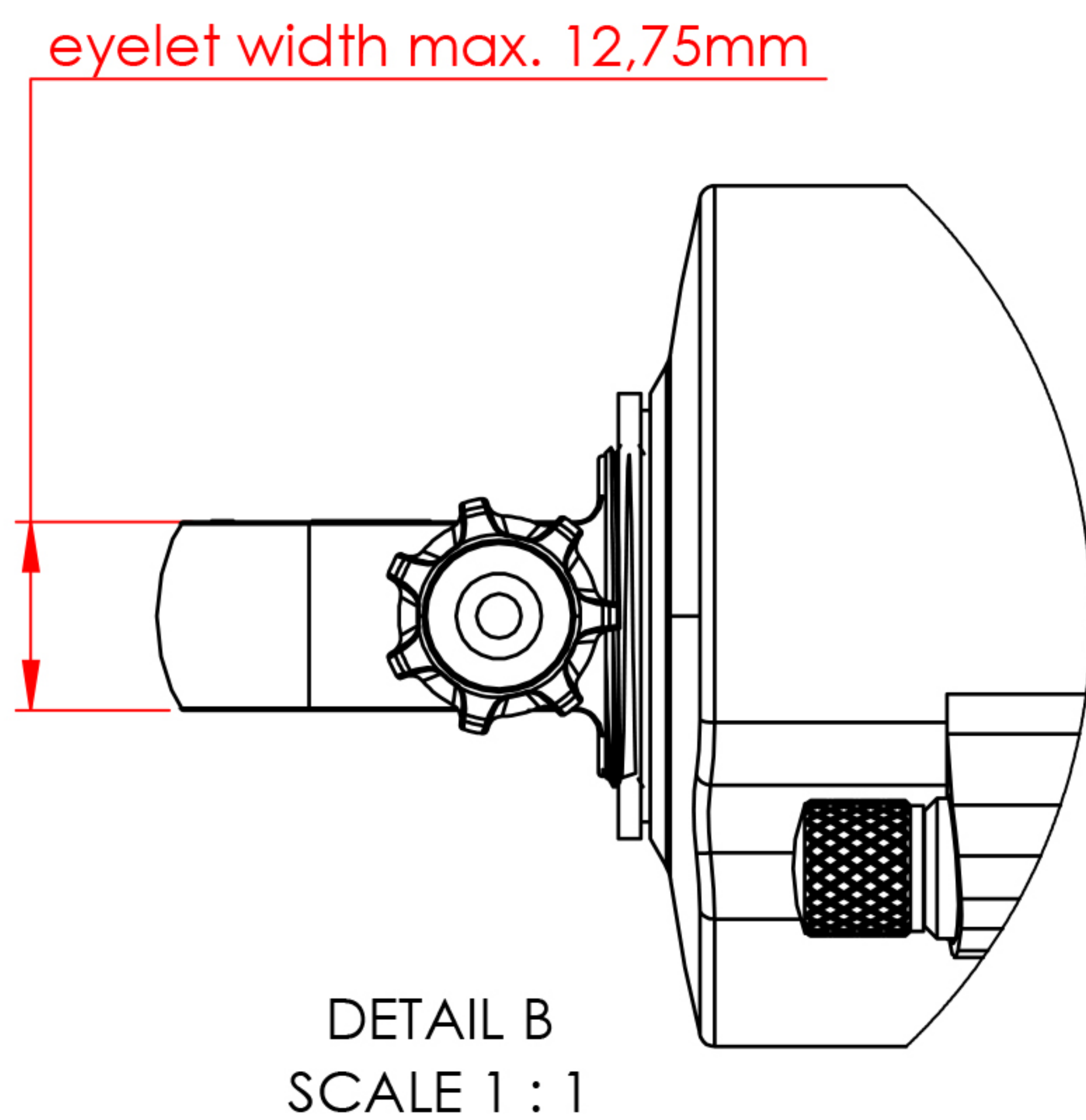
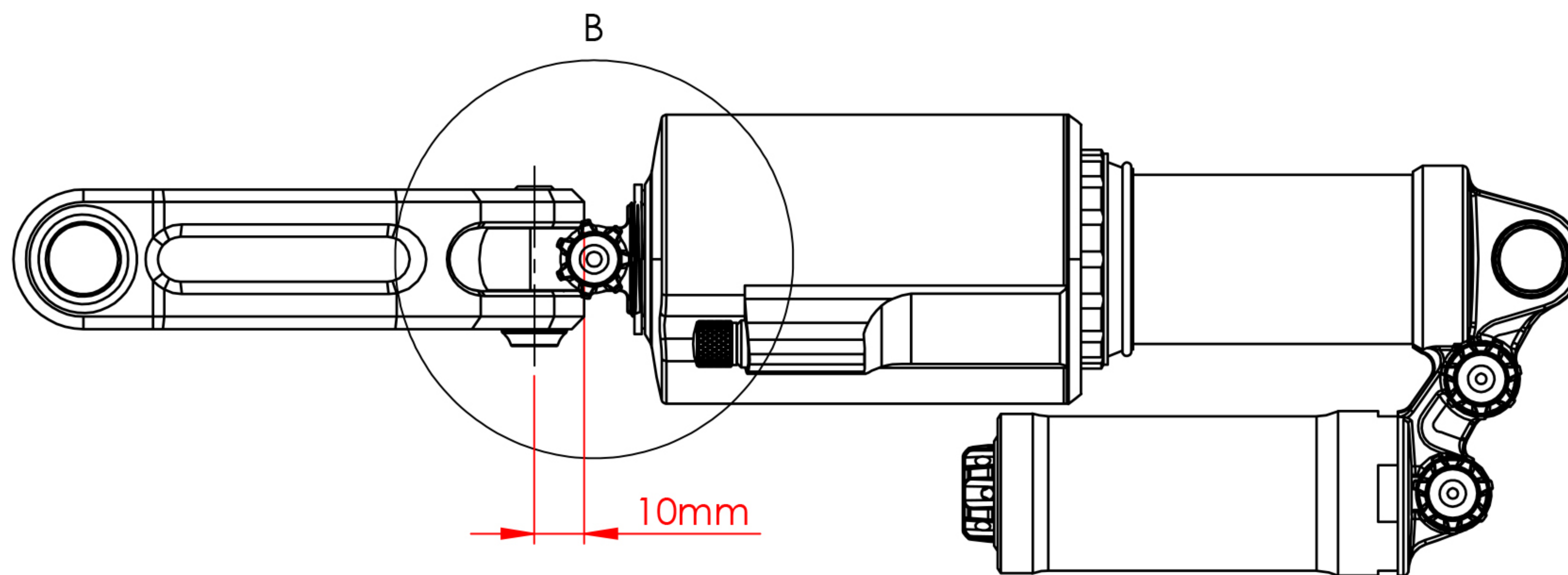
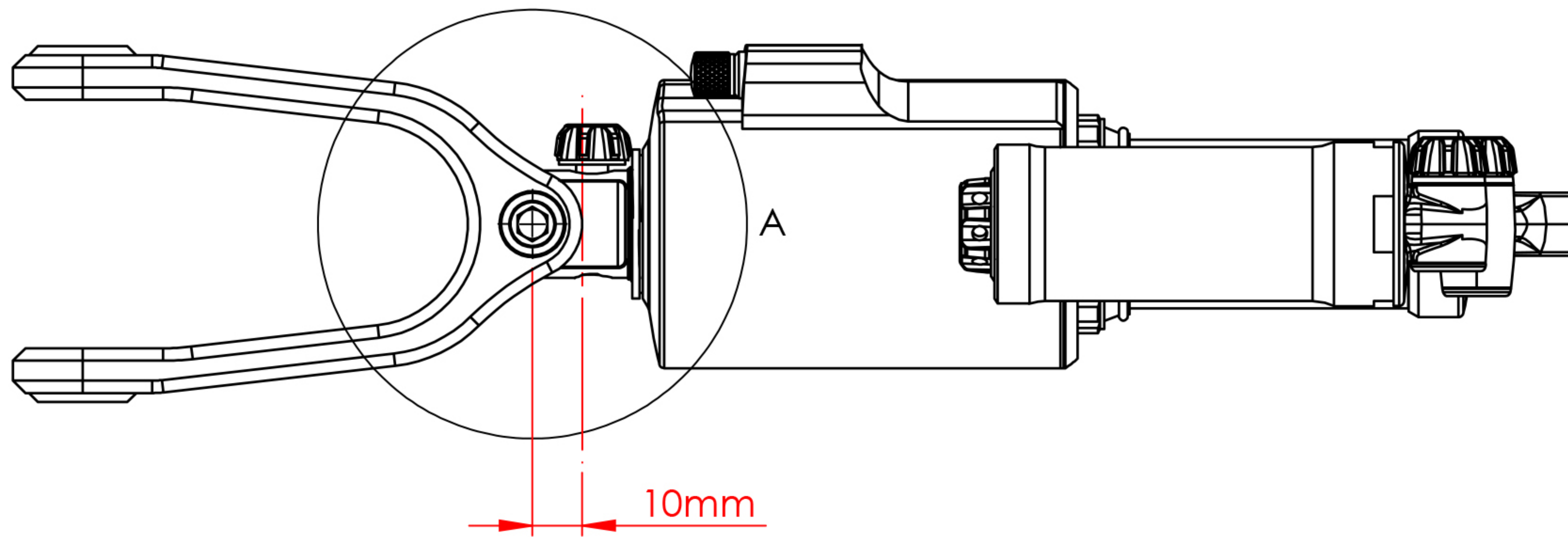


# BikeYoke dimensions and shock eyelet requirements



eyelet must use standard  $\phi$  12,70mm (1/2") bushings

