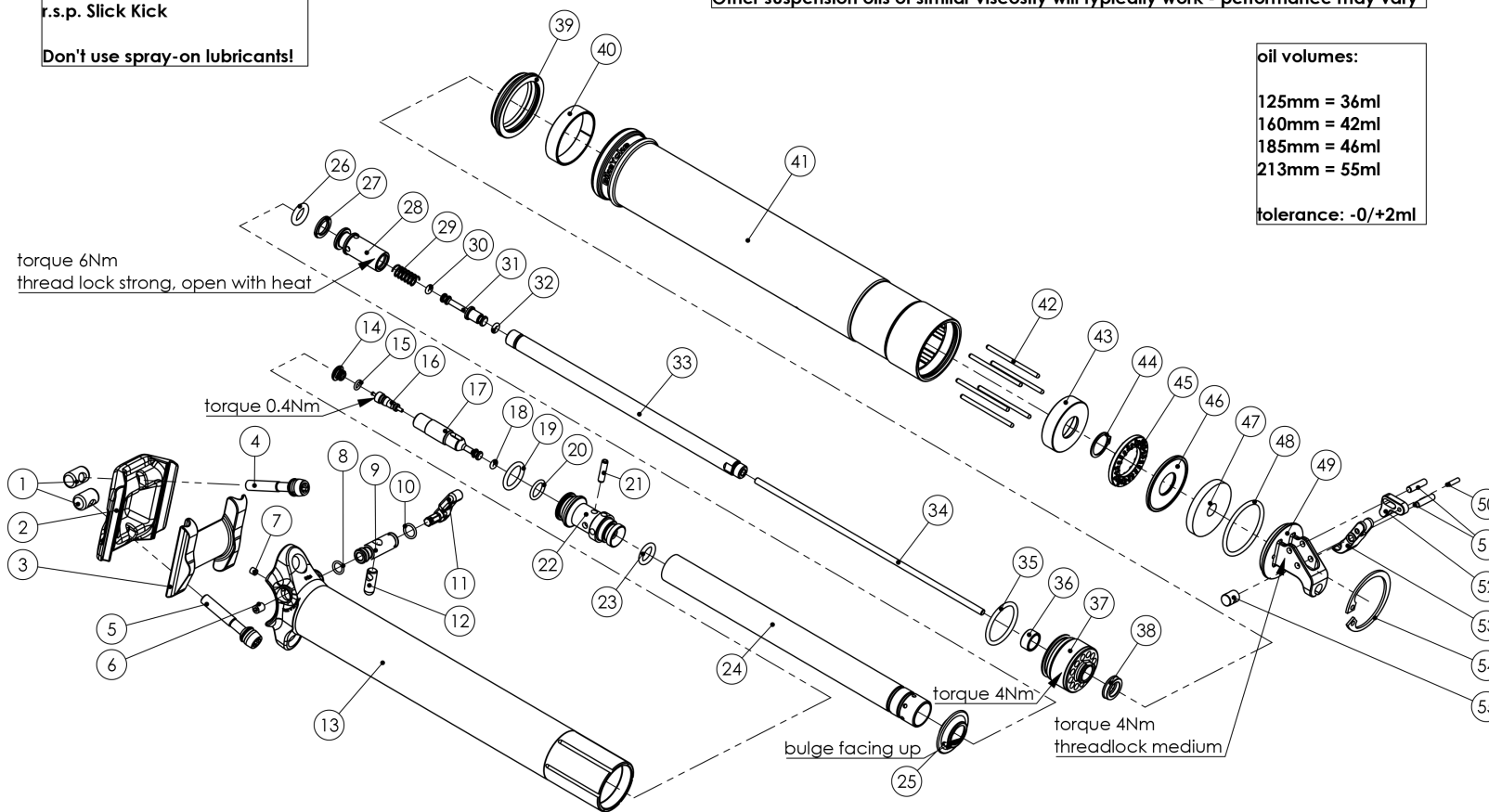


POS	part name	qty.
1	barrel nut M5	2
2	upper saddle clamp 3.0	1
3	lower saddle clamp 3.0	1
4	saddle clamp bolt M5x40	1
5	saddle clamp bolt M5x37	1
6	DIN 913 M4x5	1
7	DIN 913 M3x3	1
8	o-ring 5x1	1
9	reset axle	1
10	o-ring 6x1	1
11	mini reset lever	1
12	reset finger	1
13	REVIVE MAX upper tube	1
14	valve plug	1
15	o-ring 3.5x1	1
16	valve core	1
17	reset valve needle	1
18	o-ring 2x1.5	1
19	o-ring 11.5x2	1
20	o-ring 8x1.5	1
21	spring pin DIN 1481 - 3x12	1
22	reset unit sealhead	1
23	o-ring 8x2	1
24	REVIVE inner tube	1
25	REVIVE MAX Microvalve	1
26	o-ring 7x2.5	1
27	back-up ring	1
28	REVIVE piston	1
29	valve spring	1
30	o-ring 2x1.5 NBR 90	1
31	REVIVE main valve needle	1
32	o-ring 2.5x1.5	1
33	piston rod	1
34	actuator rod 3.0	1
35	o-ring 20x2	1
36	sealhead DU bushing	1
37	REVIVE MAX cartridge sealhead	1
38	u-cup	1
39	REVIVE MAX wiper	1
40	REVIVE MAX upper DU bushing	1
41	REVIVE MAX lower tube	1
42	guiding pin	6
43	REVIVE MAX lower bushing	1
44	circlip DIN 471 - 12	1
45	REVIVE MAX bottom out bumper	1
46	REVIVE MAX foot plate	1
47	foam ring 7x28x5	1
48	o-ring 27x2	1
49	REVIVE MAX foot	1
50	pin 2x8	1
51	pin 3x13	2
52	actuator lever 3.0	1
53	actuator rocker 3.0	1
54	circlip DIN 472 - 32	1
55	cable barrel 3.0	1

recommended grease:  
 BikeYoke Dropper Goo  
 Buzzy's Slick Honey  
 Rock Shox Dynamic Grease  
 r.s.p. Slick Kick  
 Don't use spray-on lubricants!

hydraulic fluid:  
 BikeYoke Sanguine  
 viscosity: 16cSt @ 40°C  
 Other suspension oils of similar viscosity will typically work - performance may vary

oil volumes:  
 125mm = 36ml  
 160mm = 42ml  
 185mm = 46ml  
 213mm = 55ml  
 tolerance: -0/+2ml



air pressure (fully extended):  
 250psi - 300psi max  
 Only inflate in full extended position and with post upright!

## BikeYoke REVIVE THREE MAX (34.9)