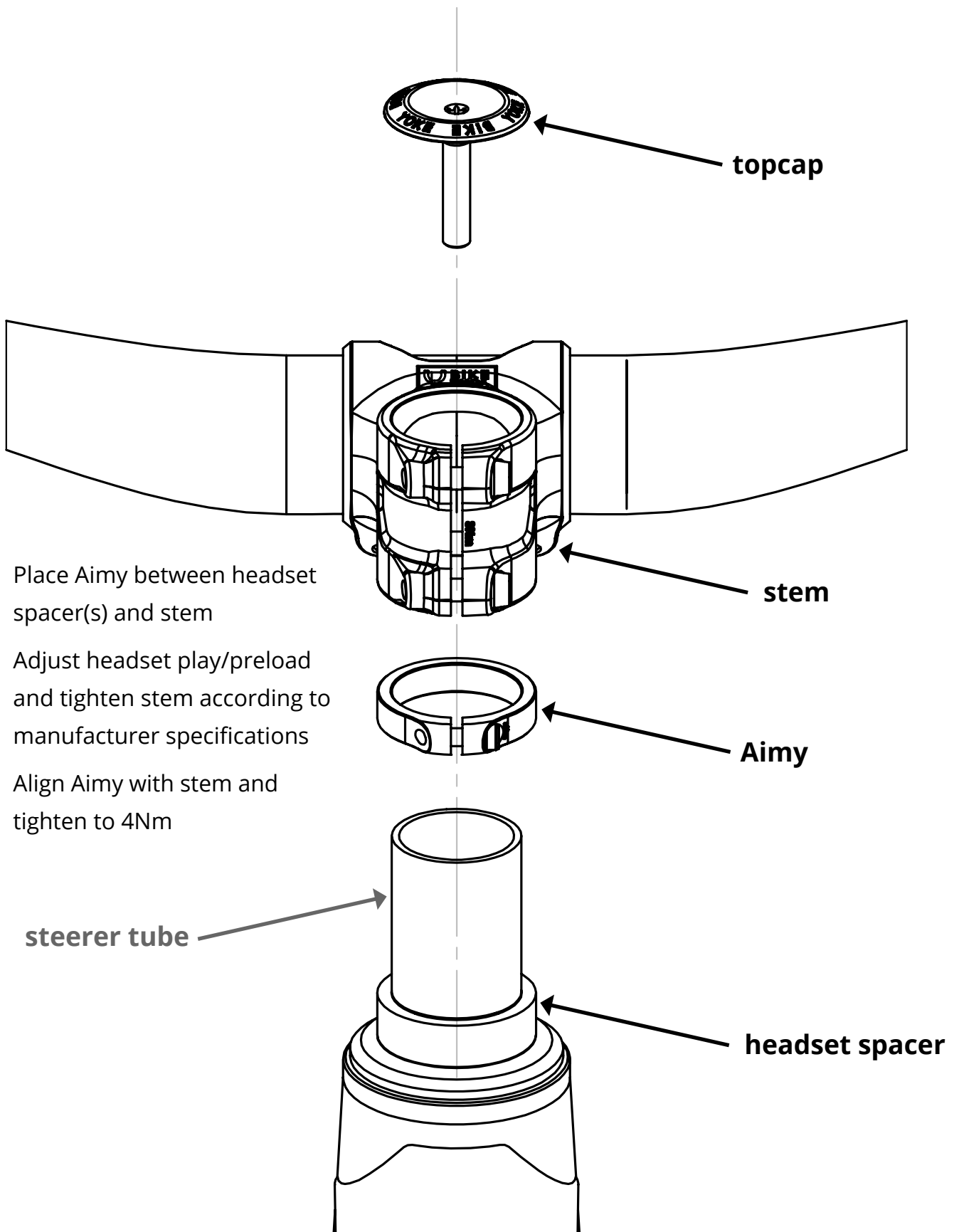


AIMY INSTALLATION



1. Place Aimy between headset spacer(s) and stem
2. Adjust headset play/preload and tighten stem according to manufacturer specifications
3. Align Aimy with stem and tighten to 4Nm

AIMY ALIGNMENT

